

0518.0 • 3/4" ÷ 2" 1/2

0518.1 • 1/2" ÷ 2"

0518.2 • 1/2" ÷ 2"

ADJUSTABLE THERMOSTATIC MIXING VALVE

CONNECTIONS: MALE
 DISMANTLING FITTINGS MALE
 DISMANTLING FITTINGS MALE WITH INCORPORATED CHECK VALVE AND STRAINER



0518.0



0518.1 - 0518.2

DESCRIPTION

The adjustable thermostatic mixing valve is installed on storage boilers for hot sanitary water in order to regulate the hot water temperature for the comfort and safety of the end users. This valve automatically mixes the hot water coming from the storage boiler with cold water from the main, bringing it to the desired temperature, no matter what the supply conditions are (pressure, temperature or required flow rate). The anti-burn safety device automatically cuts down the hot water supply, in case there is no pressure on the cold water connection and as a consequence there is a risk of burning. Also in case the hot water supply should be interrupted unexpectedly, the device will block also the cold water supply in order to avoid any unpleasant thermic shocks. The adjustable thermostatic mixing valve is available with male threaded connections (cod. 0518.0), with dismantling fittings male (0518.1) or dismantling fittings male with incorporated check valve and strainer at inlet H and C (0518.2).

TECHNICAL FEATURES

Pressures:	
maximum static working pressure	10 bar
maximum dynamic working pressure	5 bar
maximum allowable differential inlet pressures	2÷1
minimum flow rate for a correct functioning (Qmin)	see next page
Temperature:	
maximum inlet temperature	90°C
minimum ΔT between inlet hot water and outlet mixed water to guarantee the anti-burn safety block	10°C
setting range	30° ÷ 65°C
accuracy	± 2°C
Fluids compatible:	
water	
Threading:	
pipeline connection	threads according to ISO 228/1
Requirements and tests as per:	
in compliance with EN 1111, EN 1287	

DESIGN

Body 0518.0	3/4"÷1" - brass UNI EN 12165 CW602N (DZR)
	1"1/4 ÷ 2" 1/2 - brass UNI EN 12165 CW617N
Body 0518.1 - 0518.2	1/2" ÷ 3/4" - brass UNI EN 12165 CW602N (DZR)
	1" ÷ 2" - brass UNI EN 12165 CW617N
Finishing	chrome plated EN 12540 Cu/Ni12sCrr
Cap	ABS
Internal parts 0518.0	stainless steel EN 10270-3 brass UNI EN 12164 CW617N UDELF GF-120 NT (only from 3/4" to 1")
Internal parts 0518.1 - 0518.2	stainless steel EN 10270-3 brass UNI EN 12164 CW617N UDELF GF-120 NT (only from 1/2" to 3/4")
Dismantling fittings and nuts 0518.1 - 0518.2	1/2" ÷ 1"1/4 - brass UNI EN 12164 CW617N 1"1/2 ÷ 2" - brass UNI EN 12165 CW617N only 0518.215 - brass UNI EN 12164 CW617N and CW602N (DZR)
Dismantling fitting gaskets 0518.1 - 0518.2	compressed fiber
Check valve 0518.2	acetal resin POM, NBR rubber (EPDM and VMQ only 0518.220) and stainless steel
Strainer 0518.2	stainless steel
Calibration spring	stainless steel EN 10270-3
Sealing gaskets	EPDM perox
Thermo-sensitive element	wax

PRODUCT CODES

0518.020	3/4" male	0518.115	1/2" dism.fittings male	0518.215	1/2" dism.fittings m with check valve and strainer
0518.025	1" male	0518.120	3/4" dism.fittings male	0518.220	3/4" dism.fittings m with check valve and strainer
0518.033	1"1/4 male	0518.125	1" dism.fittings male	0518.225	1" dism.fittings m with check valve and strainer
0518.042	1"1/2 male	0518.133	1"1/4 dism.fittings male	0518.233	1"1/4 dism.fittings m with check valve and strainer
0518.050	2" male	0518.142	1"1/2 dism.fittings male	0518.242	1"1/2 dism.fittings m with check valve and strainer
0518.066	2"1/2 male	0518.150	2" dism.fittings male	0518.250	2" dism.fittings m with check valve and strainer



OFFICINE RIGAMONTI
Costruiamo valore

OFFICINE RIGAMONTI S.p.A.
via Circonvallazione, 9
13018 Valduggia (VC), ITALY
TEL. +39 0163.48165
FAX +39 0163.47254
www.officinerigamonti.it
export@officinerigamonti.it

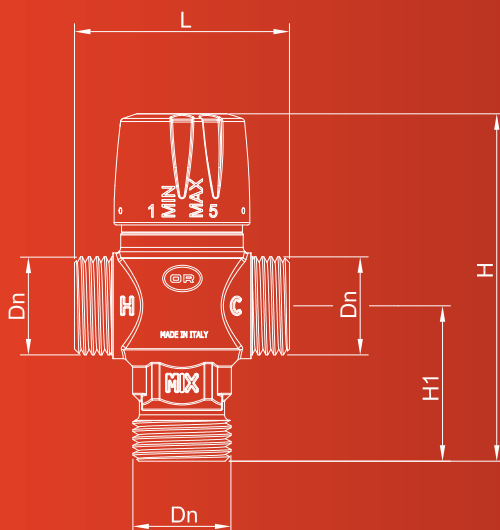
0518.0 • 3/4" ÷ 2" 1/2

0518.1 • 1/2" ÷ 2"

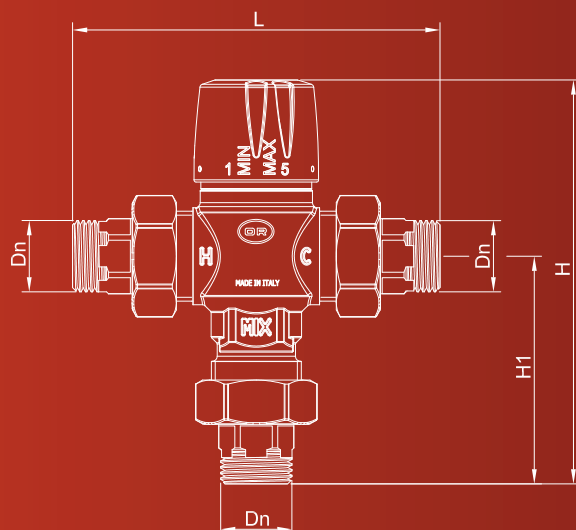
0518.2 • 1/2" ÷ 2"

ADJUSTABLE THERMOSTATIC MIXING VALVE

CONNECTIONS: MALE
DISMANTLING FITTINGS MALE
DISMANTLING FITTINGS MALE WITH INCORPORATED CHECK VALVE AND STRAINER



0518.0

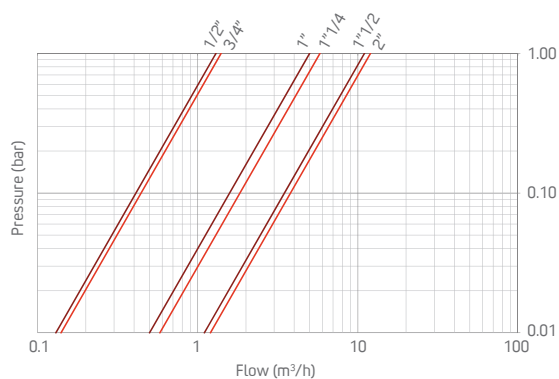
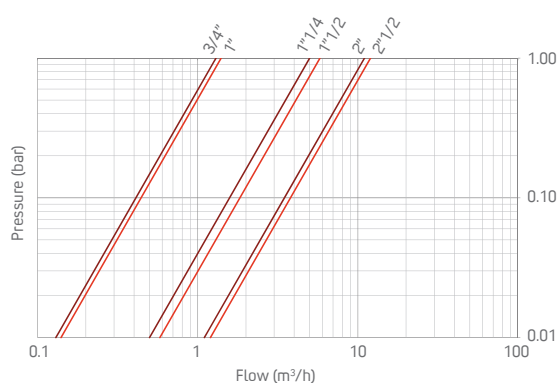


0518.1 - 0518.2

FEATURES

Dn	L	H	H1	Kv	Qmin [L/m]
3/4"	58	91-96	41	1.3	9
1"	58	91-96	43	1.4	9
1"1/4	89	131-136	58	5	15
1"1/2	90	131-136	58	5.8	15
2"	123	174-179	81	11	40
2"1/2	123	174-179	81	12	40

HEAD LOSS DIAGRAM



0518.0

0518.1 - 0518.2

Dn	L	H	H1	Kv	Qmin [L/m]
1/2"	108	116-122	67	1.3	9
3/4"	118	122-128	72	1.4	9
1"	165	169-175	96	5	15
1"1/4	183	178-184	105	5.8	15
1"1/2	217	218-224	125.5	11	40
2"	238	231-237	138.5	12	40