

0301 • DIAMETER 63

0300 • DIAMETER 50

GAUGE BOTTOM CONNECTION

CONNECTION: MALE

**DIAMETER 63****TECHNICAL FEATURES****Pressures:**

Maximum continuous pressure 3/4 of full scale value
 Maximum fluctuating pressure 2/3 of full scale value
 Scale range 0-4, 0-6, 0-10, 0-16, 0-25 bar
 Accuracy Cl. 2,5 EN 837-1
 Protection IP 31

Temperatures:

Environment da -20°C a +60°C
 Maximum fluid temperature 60 °C
 Threading/Connection: Central back in brass according to EN 10226- Rp1/4" (ex ISO 7/1)

DESIGN

Construction: Varnished Steel
 Threaded connection: in brass EN 12164 – CW614N
 Display: glass
 Mono-metric element: tubular spring in copper alloy
 Welding: in tin alloy

PRODUCT CODES

0301.004 scale 0-4
 0301.006 scale 0-6
 0301.010 scale 0-10
 0301.016 scale 0-16
 0301.025 scale 0-25

DIAMETER 50**TECHNICAL FEATURES**

Maximum continuous pressure 3/4 of full scale value
 Maximum fluctuating pressure 2/3 of full scale value
 Scale range 0-6
 Accuracy Cl. 2,5 EN 837-1
 Protection IP 31

Temperatures:

Environment da -20°C a +60°C
 Maximum fluid temperature 60 °C
 Threading/Connection: Central back in brass according to EN 10226- Rp1/4" (ex ISO 7/1)

DESIGN

Construction: Varnished Steel
 Threaded connection: in brass EN 12164 – CW614N
 Display: polycarbonate
 Mono-metric element: tubular spring in copper alloy
 Welding: in tin alloy

PRODUCT CODES

0300.006 scale 0-6



OFFICINE RIGAMONTI S.p.A.
 via Circonvallazione, 9
 13018 Valduggia (VC), ITALY
 TEL +39 0163.48165
 FAX +39 0163.47254
 www.officinerigamonti.it
 export@officinerigamonti.it

0301 • DIAMETER 63

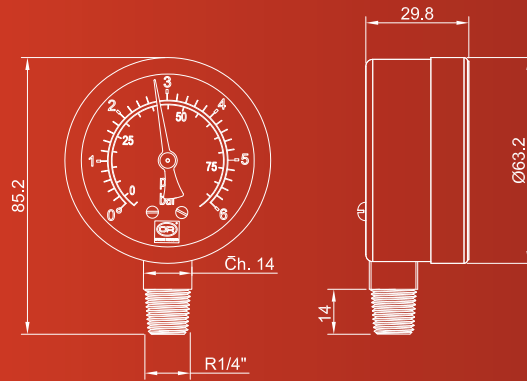
0300 • DIAMETER 50

GAUGE BOTTOM CONNECTION

CONNECTION: MALE



0301



0300

